

CEEH96B



◆ Outline

- Pulse transformer for Automobiles.

◆ Application

- Battery management system of automobiles



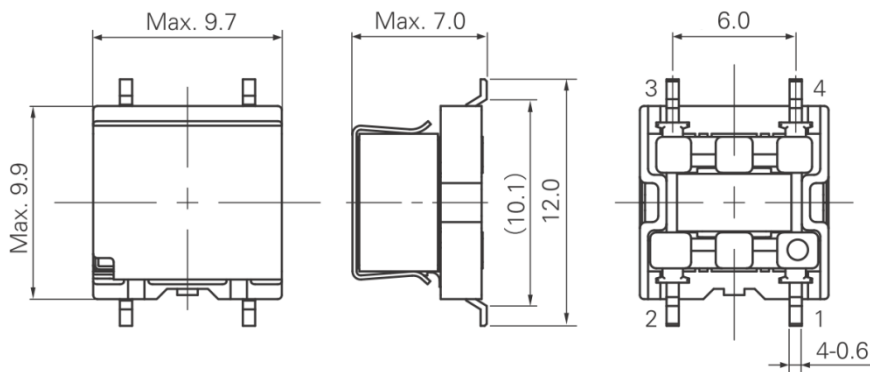
◆ Features

- SMD Type and 9mm square.
- low-profile 7mm Maximum.
- High withstand Voltage : 2,500Vrms
- Operating temperature : - 40deg. ~ +125deg.

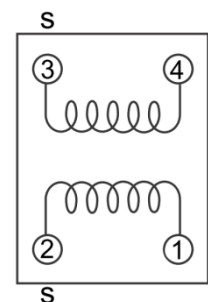
◆ Specifications

Item		Specification	Testing condition
Inductance	(1-4)	Min. 200 μ H	10 kHz, 20mV
Distributed Capacitance	(1-2)	Max. 8.0 pF	20MHz, 20mV
Interwinding Capacitance	(1,2-3,4)	Max. 12.6 pF	100 kHz, 20mV
Leakage Inductance	(1-2)	Max. 1.6 μ H	100 kHz, 20mV, (3,4)short
Withstand Voltage	(1,2~3,4)	AC2,500V, 60sec	0.5mA, 50Hz/60Hz
Turn Ratio	(1,2~3,4)	1 : 1	-

◆ Dimension (mm)



◆ Connection



◆ Land Patterns (mm)

