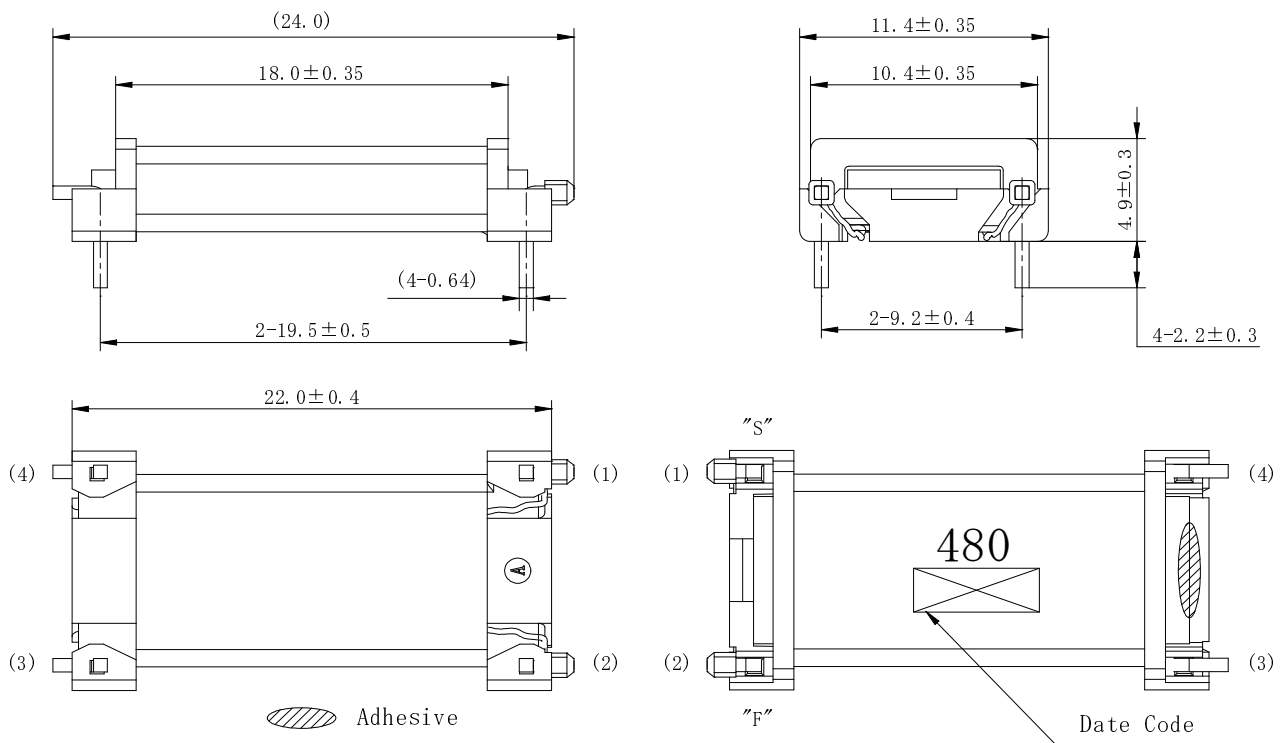
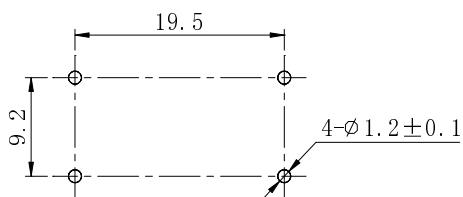


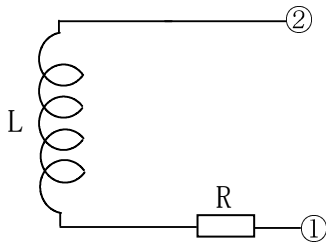
**Type: AS224**
**◆ Product Description**

- \* 24.5×11.75mm Max(L×W),5.2mm Max. Height.
- \* Operating Temperature: -40℃ ~ +85℃.

**◆ Feature**

- \* LF Transmitter antenna.
- \* Small size Pin type.
- \* Trigger antenna for TPMS maintenance device.
- \* RoHS Compliance.


**◆ Mechanical dimensions ( unit: mm )**

**◆ Suggested PCB layout( unit: mm)**


**Type: AS224**
**◆ Schematic diagram**


L: Ferrite core coil inductance.

R: Copper resistance.

**◆ Electrical Characteristics**

Part number	Inductance	Unload Q	D.C.R
AS215-480	480 $\mu$ H $\pm$ 5%	30 Min.	3.1 $\Omega$ ( Ref. )
AS224-345	345 $\mu$ H $\pm$ 5%		
AS224-717	717 $\mu$ H $\pm$ 5%		

- \* It is possible for other inductance.
- \* The test condition is 125kHz/1V for Inductance and Unload Q value.

**◆ Packaging specification**

- \* Using magazine packaging.
- \* Outside carton dimension: 400mm X 320mm X 90mm.
- \* Packaging Q'ty: 1200pcs/carton.